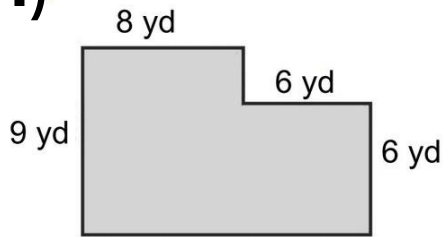


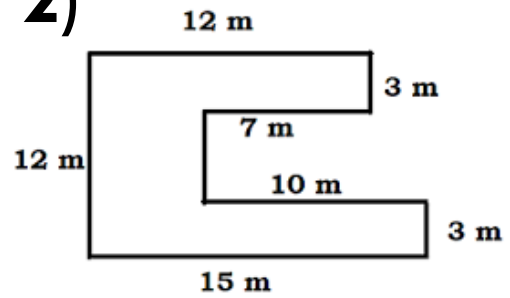
Area and Perimeter

Find the perimeter and area of each shape.

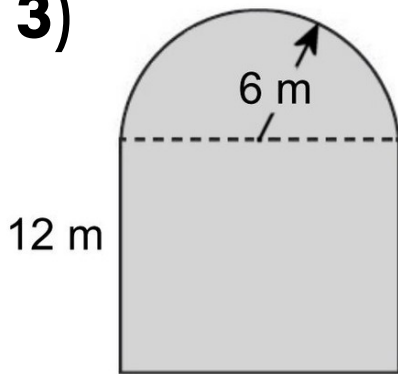
1)



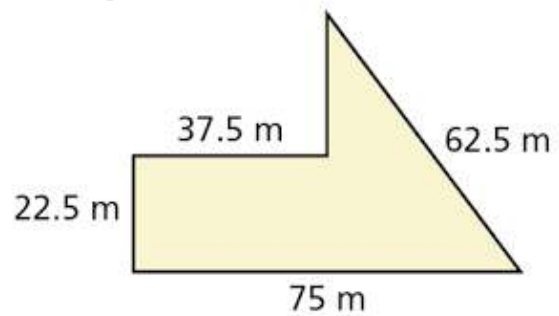
2)



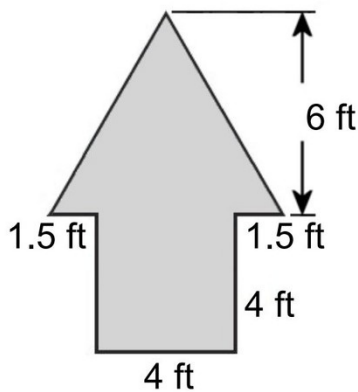
3)



4)



5)



6)

